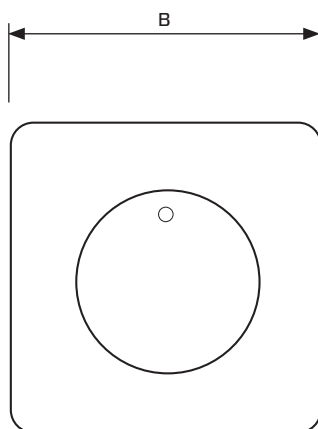
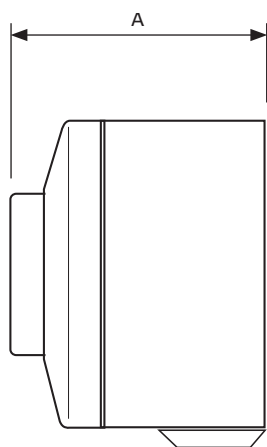


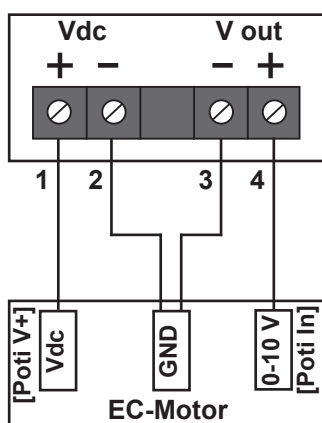
Stepped potentiometer MTP



Type	ID	A mm	B mm	C mm	D mm	Weight kg
MTP 30	143289	65	82	62	62	0,2

- Stepped potentiometer MTP
- Resistance >10 kΩ
- Surface and flush mounting
- Max. ambient temperature 40 °C
- Step 1 + 2 adjustable between 10% - 100% Vdc
- Step 3 100% Vdc
- Supply voltage +10Vdc
- Protection class IP 44

Wiring diagram :



Assembly :

