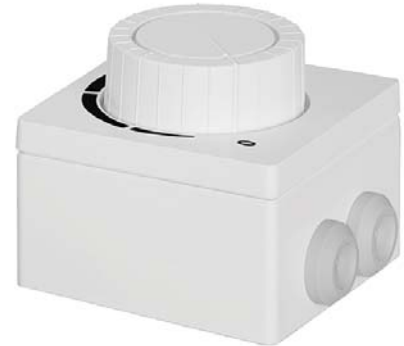
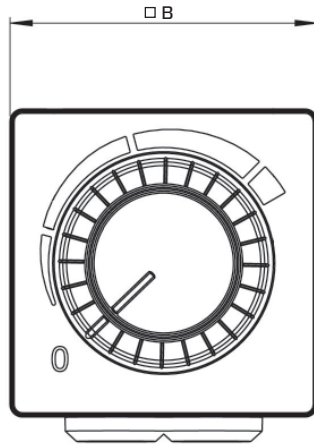
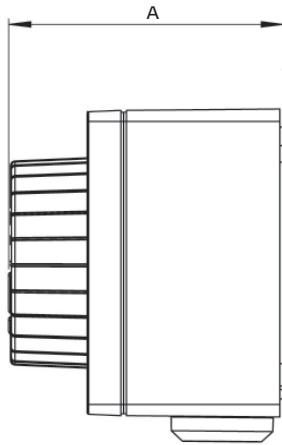


# DATA SHEET

## 3 step switch MTS

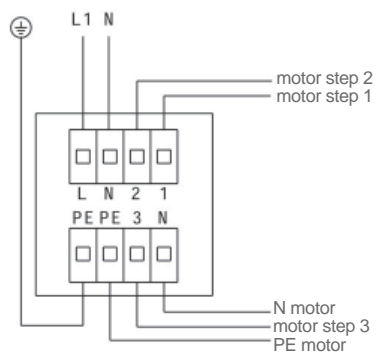


| Type   | ID     | A<br>mm | B<br>mm | C<br>mm | D<br>mm | Weight<br>kg |
|--------|--------|---------|---------|---------|---------|--------------|
| MTS 10 | 128145 | 74      | 83      | 66,5    | 66,5    | 0,2          |

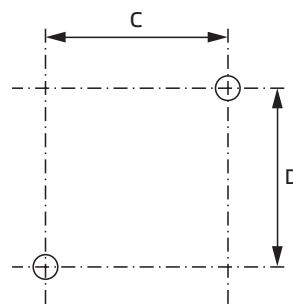
- 3 step switch MTS
- Surface and flush mounting
- Max. ambient temp 50 °C
- VDE
- Protection class IP 44

|           | U <sub>max.</sub> | 50Hz         | I <sub>max.</sub> |
|-----------|-------------------|--------------|-------------------|
| <b>CE</b> | 250V~             | 50Hz         | 4A                |
|           |                   |              | P <sub>max.</sub> |
| <b>RU</b> | 120V~<br>240V~    | 60Hz<br>60Hz | 1hp<br>2hp        |

### Wiring diagram :



### Assembly :



#### Legend

- I<sub>max.</sub> = Max. operating current
- U<sub>max.</sub> = Maximum voltage
- P<sub>max.</sub> = Maximum power