

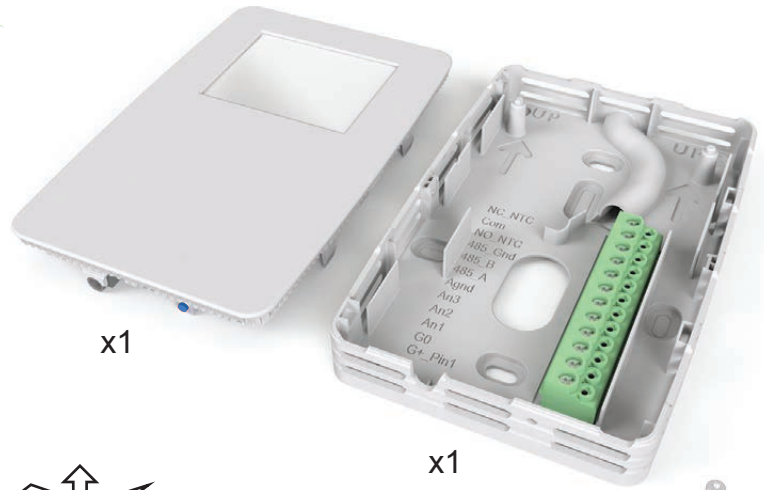
Installation manual

tSENSE (Disp) T RH RL

CO₂-, temperature- and relative humidity transmitter



User manual



x1

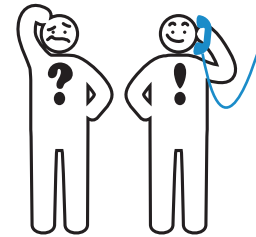


x2



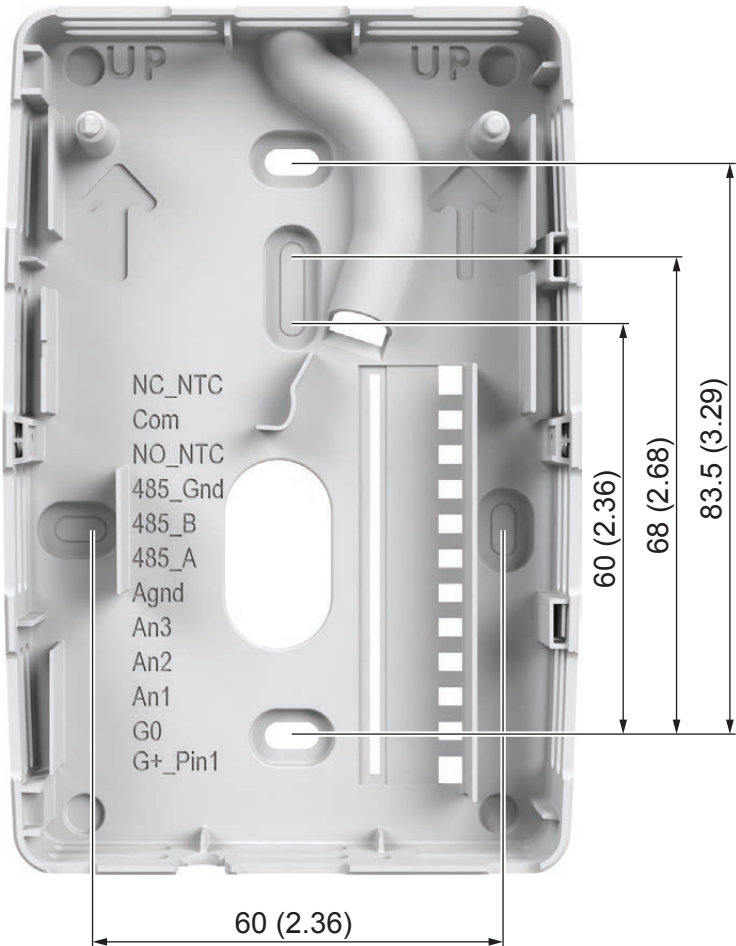
NOTE:

The same ground reference has to be used for the **tSENSE (Disp)** unit and for the control system!



SenseAir®
Local representative

IMA286
Edition 6



mm
(inches)

1

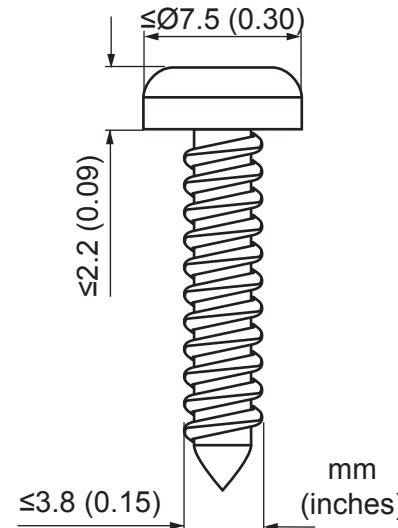
Alt. 1



Alt. 2



2

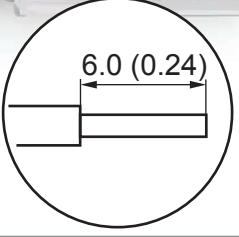


mm
(inches)

3

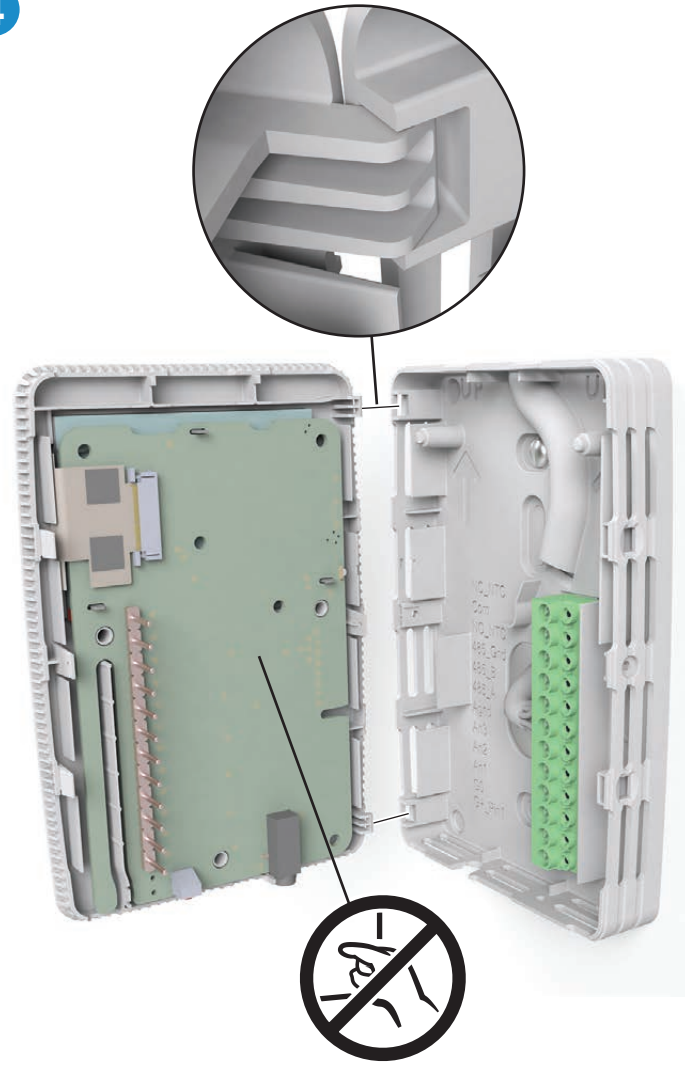


RL/NC_NTC (Temp)
 RL/Com
 RL/NO_NTC (Temp)
 RS485_Gnd/MB/BAC
 RS485_B (-)/MB/BAC
 RS485_A (+)/MB/BAC

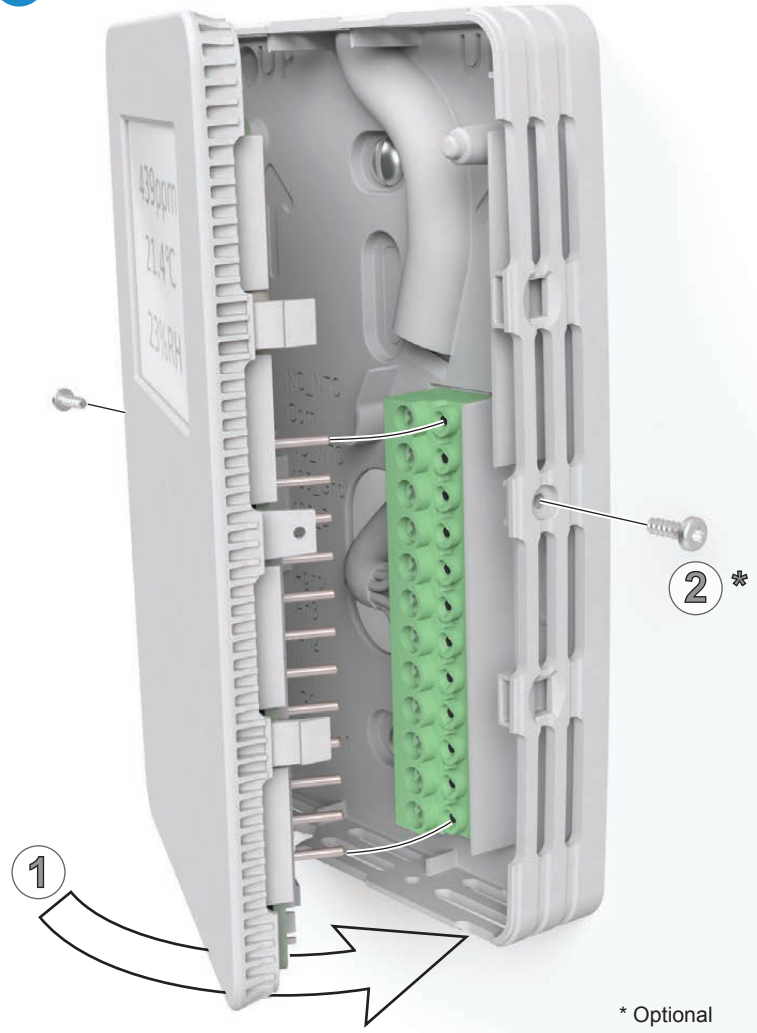


mm
(inches)

4

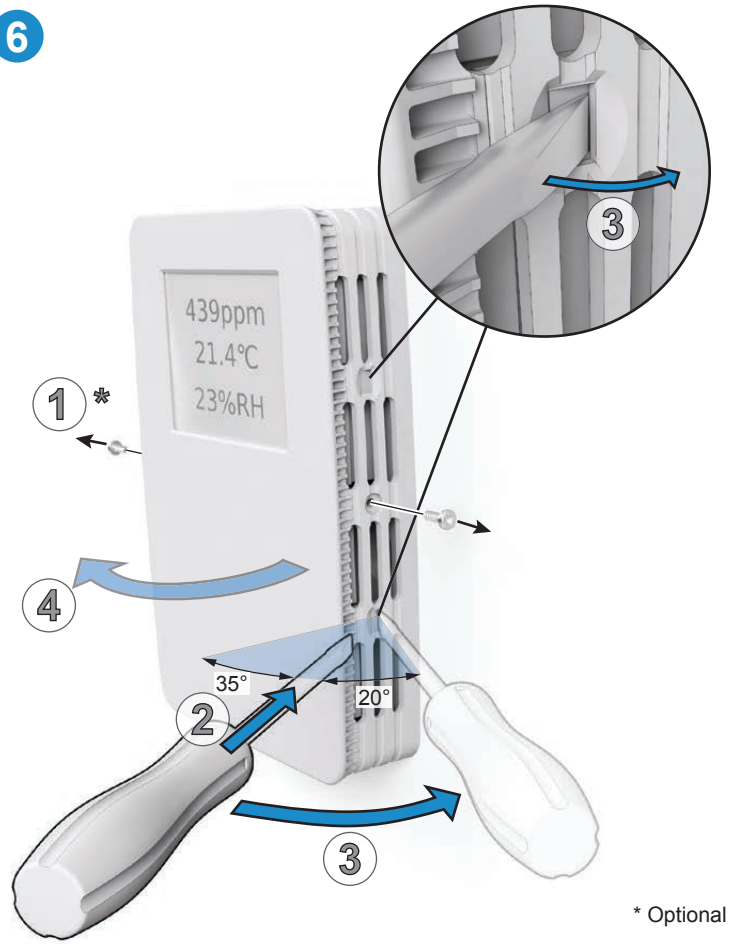


5



* Optional

6



* Optional

SenseAir AB (headquarter)
 Stationsgatan 12, Box 96, 820 60 Delsbo, Sweden
 Phone: +46-(0)653 – 71 77 70
www.senseair.com